



BB155S

3/4 Horsepower Bar Blender with 32 oz. Stainless Steel Container



3/4 Horsepower Bar Blender with 32 oz. Stainless Steel Container



*Made in USA with US and foreign parts.

ELECTRICAL

Voltage: 120

Frequency: 60Hz

Watts: 560

Plug Type: NEMA 5-15P

Cord Length: 5 feet



MAIN FEATURES

- 3/4 HP, 2-speed commercial motor
- Rugged, two-piece stainless steel cutting blade is removable for easy cleaning and is user replaceable
- User-replaceable, metal-reinforced rubber drive coupling designed for maximum durability and simple replacement
- Recommended for up to 25 drinks per day
- 32 oz., dishwasher-safe, stainless steel container
- BPA free – all materials that come in contact with food
- Limited Two-Year Warranty

SALES FEATURES

The Waring BB155S 3/4 HP bar blender with 2-speed, toggle-switch control and 32 oz. stainless steel container is perfect for light beverage prep such as frozen drinks, margaritas and more. Keep your beverage patrons happy with up to 25 drinks daily.



@waringcommercial

©2020 Waring Commercial
314 Ella T. Grasso Avenue, Torrington, CT 06790
Tel. 800-492-7464 • Fax 860-496-9008

waringcommercialproducts.com

BB155S

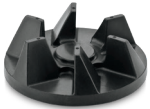
PARTS & ACCESSORIES



CAC134 44 oz. BPA-Free Copolyester Blender Jar for BB155 Series



CAC135 32 oz. Stainless Steel Blender Container

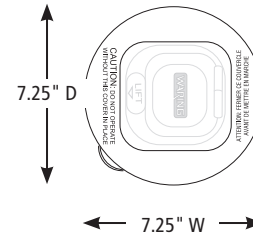
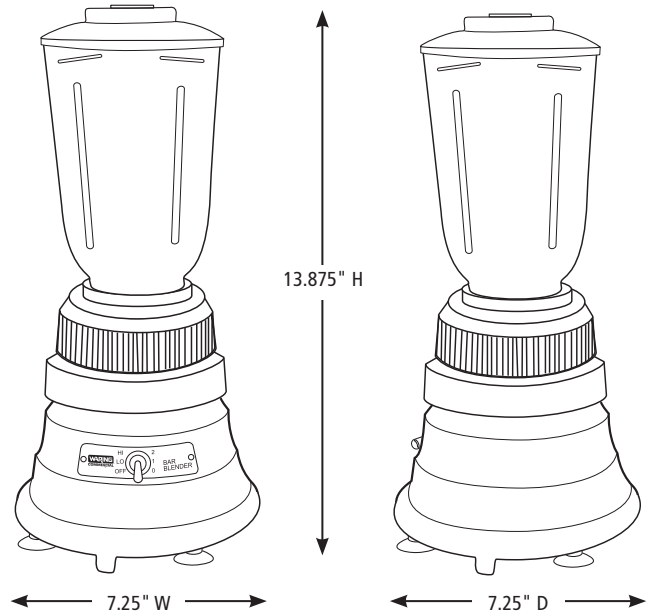


CAC137 Clutch Repair Kit



CAC102 Blade Repair Kit Including: Gasket, Blending Assembly and Coupling

DIMENSIONS



Out of Box Weight: 5.65 lb.

ORDERING INFORMATION	#STD. PKG.	GIFTBOX WEIGHT	CUBIC FEET	BOX DIMENSIONS D X W X H	UPC	CASE PKG.	MC WEIGHT	MC DIMENSIONS D X W X H	MBC
BB155S – 3/4 Horsepower Bar Blender with 32 oz. Stainless Steel Container	1	7.25	.615	9.75" x 8" x 13.625"	040072035258	2	14.25	16.375" x 10.25" x 14.25"	10040072035255



@waringcommercial

©2020 Waring Commercial
314 Ella T. Grasso Avenue, Torrington, CT 06790
Tel. 800-492-7464 • Fax 860-496-9008

waringcommercialproducts.com

20WC059580 / REV 07ww/20